



FREE MATCH



HIGH-STATIC DUCT TYPE INDOOR UNIT

Model: TM21HSFDI



Item	Unit	Specification
IDU Model	—	TM21HSFDI
System and Electrical Ratings		
Cooling Capacity	Btu/h	21000
Heating Capacity	Btu/h	23000
Sound Pressure (High/Low)	dB(A)	39/26
Air Flow (High)	CFM	411.95
Air Flow (Low)	CFM	288.365
Ext Static Pressure (max/min)	InWg	0.8/0.36
Normal Operational Voltage	—	208-230 V, 1 Ph, 60 Hz
Voltage Range	V	187-253
Power Cable Size	—	0.82
Unit and Pipe Data		
Communication Cable Wire Size	—	AWG18-4
Unit Dimensions (L×H×D)	Inch	44.488x11.811x29.685
Weight (Net)	lbs	68.355
Weight (Gross)	lbs	90.405
Drain Connection	inch	φ0.98
Refrigerant Type	—	R410A
Gas Pipe Size	Inch	5/8
Liquid Pipe Size	Inch	3/8
Connection Method	—	Flare Connection



Job Name:		Date:	
Reference #:			
Signature:			

TOSOT NORTH AMERICA
 930 W 21ST STREET, CHICAGO IL 60608
 TEL: +1(312)800-8455
 EMAIL: SALES@TOSOT-NA.COM

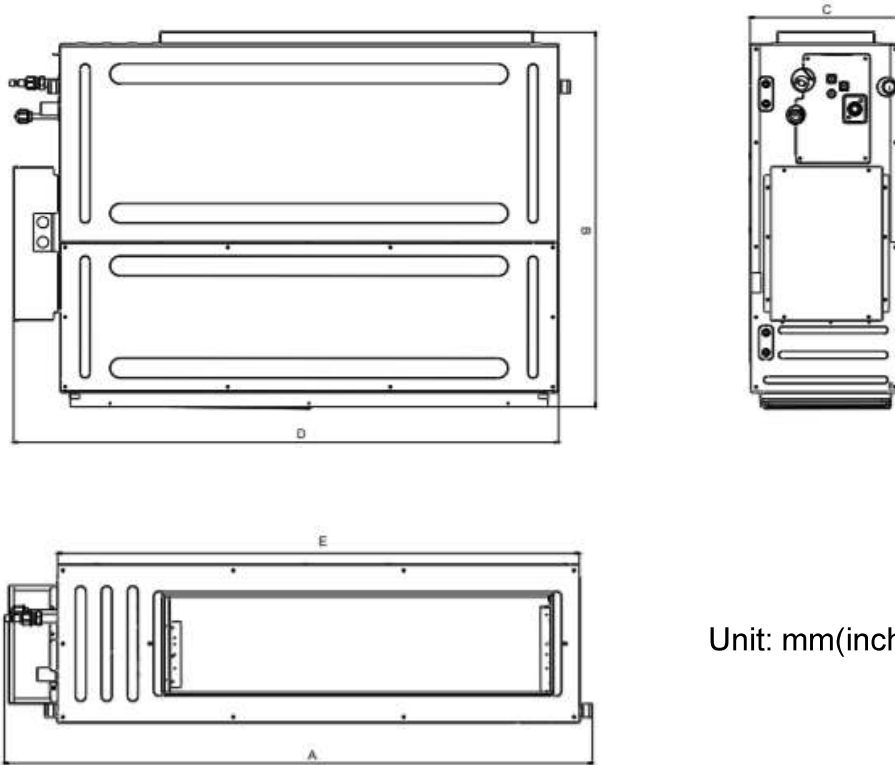


FREE MATCH



HIGH-STATIC DUCT TYPE INDOOR UNIT

OUTLINE AND PHYSICAL DIMENSIONS



Unit: mm(inch)

Liquid Line Valve	3/8-in OD Flared
Gas Line Valve	5/8-in OD Flared
Net Weight ODU	92.61 lb
Gross Weight ODU	106.943 lb

	A	B	C	D	E
TM21HSFDI	44 31/64	29 11/16	11 13/16	43 7/64	39 3/8

TOSOT NORTH AMERICA
 930 W 21ST STREET, CHICAGO IL 60608
 TEL: +1(312)800-8455
 EMAIL: SALES@TOSOT-NA.COM

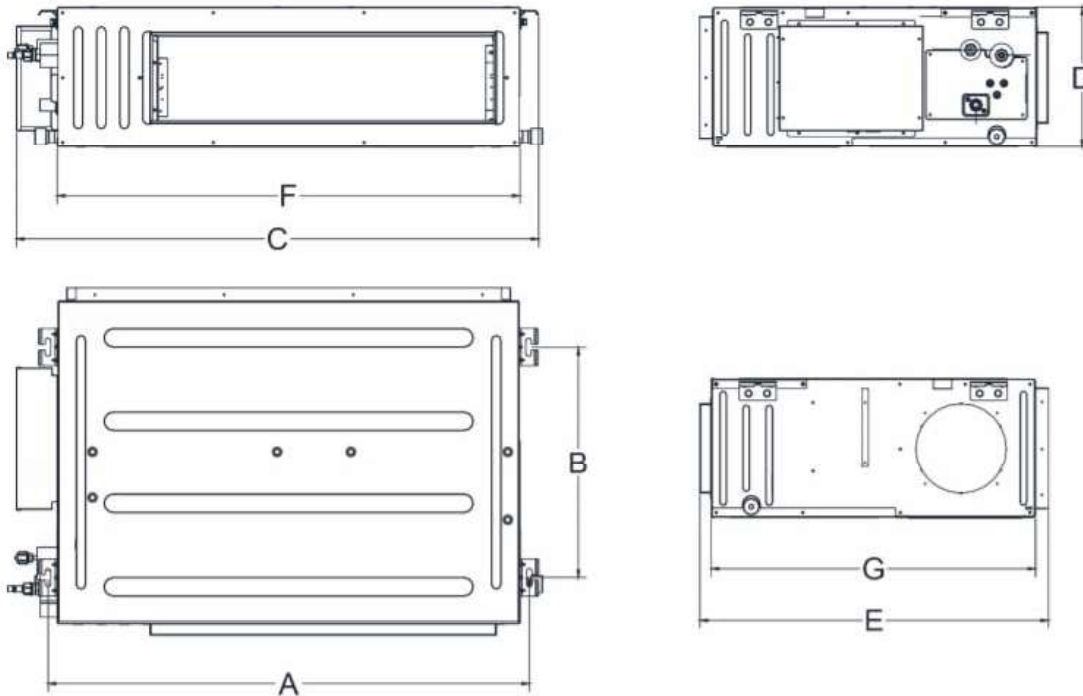


FREE MATCH



HIGH-STATIC DUCT TYPE INDOOR UNIT

OUTLINE AND PHYSICAL DIMENSIONS



	A	B	C	D	E	F	G
TM21HSFDI	1040 (40-15/16)	500 (19-11/16)	1130 (44-1/2)	300 (11-13/16)	754 (29-11/16)	1000 (39-3/8)	700 (27-9/16)

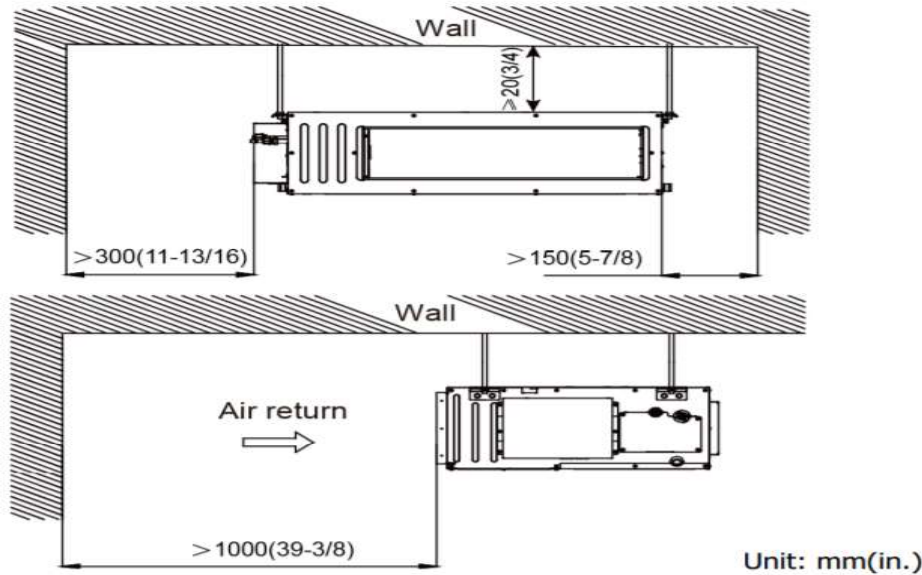
Unit: mm(inch)

TOSOT NORTH AMERICA
 930 W 21ST STREET, CHICAGO IL 60608
 TEL: +1(312)800-8455
 EMAIL: SALES@TOSOT-NA.COM



FREE MATCH

OUTLINE AND PHYSICAL DIMENSIONS



Unit: mm(in.)

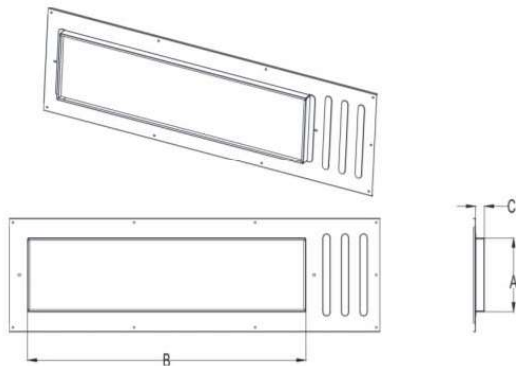


Fig 9.4.1 Air Outlet

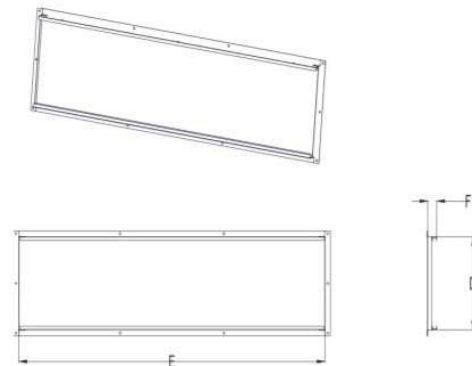


Fig 9.4.2 Air-return Opening

	Size of Air Outlet			Size of Air-return Opening		
	A	B	C	D	E	F
TM21HSFDI	195 (7-5/8)	751 (29-9/16)	25 (1)	264 (10-3/8)	960 (37-3/4)	29 (1-1/8)