

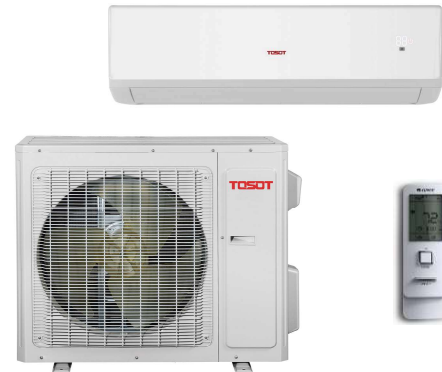


SAPPHIRE



SINGLE ZONE WALL MOUNTED HEAT PUMP SYSTEM

TW24HQ3D6D		
Indoor Unit		TW24HQ3D6DI
Outdoor Unit		TW24HQ3D6DO
Performance		
Cooling Rated Capacity	Btu/h	22,000
Cooling Cap. Range Min-Max	Btu/h	6,800~30,700
SEER/EER		21.5/13.0
Heating Rated Capacity(47°F)	Btu/h	24,000
Heating Rated Capacity(17°F)	Btu/h	15,500
Heating Cap. Range Min-Max	Btu/h	6,800~32,000
HSPF/COP		12.0/3.5
Electrical		
Voltage, Phase, Cycle	V-Ph-Hz	208/230-1-60
Voltage Range	V	187~253
MCA	A	22.0
MOP	A	35
Compressor RLA	A	16
Fan Motor FLA	A	0.65
Cooling Power Input	W	1,100
Heating Power Input	W	2,000
Piping		
Pipe Length Min-Max	ft	10~164
Piping Lift	ft	98
Liquid Line	in	1/4
Vapor Line	in	5/8
Connection Type		Flare



Operating Range		
Cooling Outdoor DB	°F	0~129
Heating Outdoor DB	°F	-22~75
System Data		
Compressor Type		DC Inverter Driven 2 Stage Rotary
Refrigerant Type		R410A
Pre-Charge	oz	81.10
Pre-Charge Length	ft	25
Additional Charge	oz/ft	0.5
Refrigerant Control		EXV
ODU Sound Pressure	dB(A)	59
IDU Sound Pressure (Cooling Low/High)	dB(A)	34/54
IDU Sound Pressure (Heating Low/High)	dB(A)	34/54
IDU Airflow (Low/High)	cfm	383/824
Dehumidification	pts/hr	4.23



Job Name:		Date:	
Reference #:			
Signature:			

TOSOT NORTH AMERICA
 930W 21ST STREET, CHICAGO IL 60608
 TEL: +1(312)800-8455
 EMAIL: SALES@TOSOT-NA.COM



SAPPHIRE



SINGLE ZONE WALL MOUNTED HEAT PUMP SYSTEM

Features	
Inverter Type	G10
Ultra Low Frequency Torque Control	Standard
Power Factor Correction	Standard
Compressor Type	High Eff. Two Stage Rotary
Refrigerant Type	R410A
Basepan With Electric Heater	Standard
Compressor With Electric Heater	Standard
Indoor & Outdoor Fin Coating	Acrylic Resin/ Anti-Corrosion
Intelligent Defrosting	Standard
Intelligent Preheating	Standard
Low Voltage Startup	Standard
Memory/Power Failure Recovery	Standard
Self Diagnosis	Standard
Wired Controller Interface	Not Available
Wi-Fi Interface - Standard	Standard
Indoor Fan Type	Crossflow
Multi Fan Speeds	7 Speeds
Indoor Unit Display	Standard
Indoor Air Quality Filter	Optional
Auxiliary Electrical Heater	Not Available
Ventilation (Outdoor Air)	Not Available

Remote Controller Functions	
Auto Mode	Standard
Auto Fan	Standard
Auto Swing - Horizontal	Standard
Auto Swing - Vertical	Standard
Clock on Remote Controller	Standard
Dry Mode	Standard
Dry Anti-Mildew (X-Fan) Mode	Standard
Energy Saving Mode	Not Available
Dirty Filter Alert	Not Available
I Feel Function	Standard
Lock on Remote Controller	Standard
Quiet Mode	Standard
Room Temperature Display	Not Available
Sleep Mode	Standard
4 Sleep Modes Options	Standard
Timer Mode	Standard
Turbo Mode	Standard
Display On/Off Control	Standard
Freeze Guard Mode	Standard

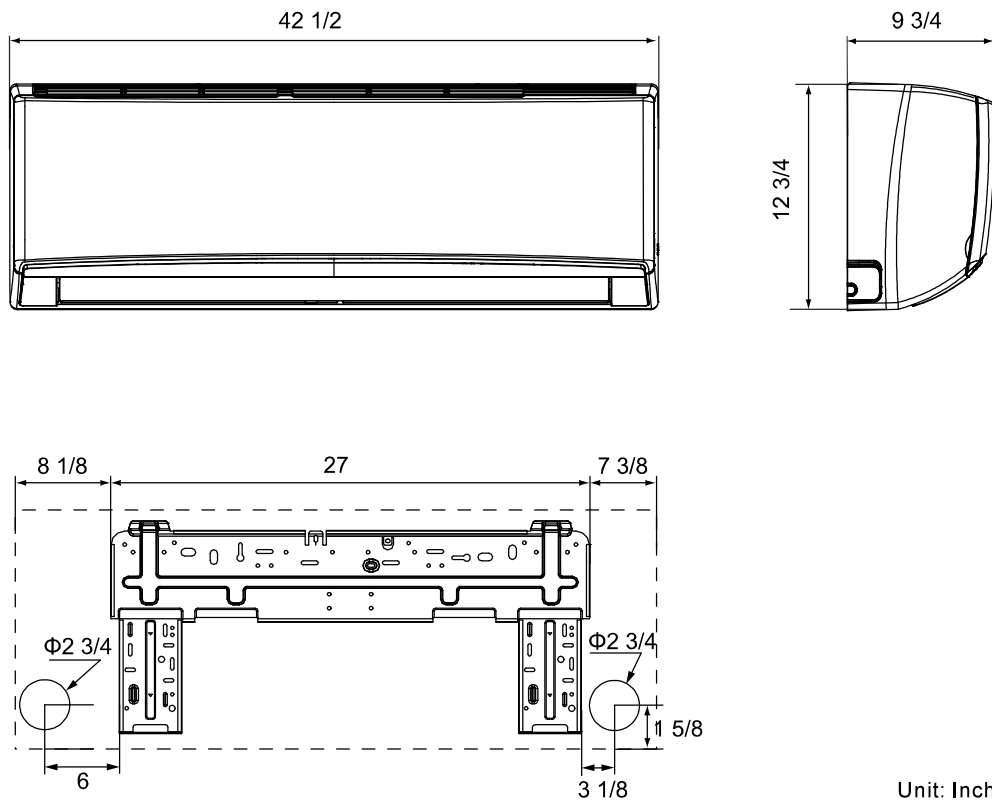


COOLING PERFORMANCE*						
Outdoor Ambient DB	Indoor Entering Air Temperatures					
	68°F DB		73°F DB		80°F DB	
	57°F WB		61°F WB		67°F WB	
	TC	SHC	TC	SHC	TC	SHC
0°F	13,521	10,599	14,165	11,104	15,894	12,459
5°F	14,036	11,008	14,828	11,625	16,735	13,125
14°F	14,395	11,291	15,202	11,922	17,373	13,623
23°F	15,378	12,063	16,449	12,902	18,847	14,782
32°F	18,649	14,626	19,947	15,643	21,846	17,129
41°F	21,120	16,565	22,440	17,597	23,980	18,808
50°F	20,871	16,371	22,198	17,411	23,760	18,637
59°F	20,357	15,963	21,677	17,003	23,540	18,466
68°F	19,844	15,562	21,164	16,602	23,100	18,117
77°F	19,338	15,168	20,651	16,193	22,660	17,775
86°F	18,692	14,661	19,998	15,682	21,896	17,176
95°F	18,781	14,730	20,093	15,755	22,000	17,255
104°F	17,769	13,936	19,035	14,930	21,054	16,515
113°F	16,450	12,902	17,652	13,846	19,724	15,473
122°F	14,879	11,668	16,001	12,544	17,925	14,055
129°F	13,775	10,803	14,693	11,522	16,530	12,967
HEATING PERFORMANCE*						
Outdoor Ambient DB	Indoor Ambient Temperature					
	68°F DB		73°F DB		80°F DB	
	57°F WB		61°F WB		67°F WB	
	TC	TC	TC	TC	TC	TC
-22°F	14,194	13,955	13,699			
-13°F	18,752	18,437	18,098			
-4°F	23,362	22,969	22,547			
0°F	24,013	23,614	23,161			
6°F	24,233	23,826	23,379			
10°F	24,726	24,313	23,851			
17°F	25,215	24,795	24,313			
19°F	25,697	25,277	24,782			
24°F	25,909	25,517	25,080			
32°F	26,103	25,750	25,356			
41°F	27,424	27,102	26,723			
43°F	27,972	27,642	27,276			
47°F	29,278	28,771	28,191			
53°F	29,568	29,052	28,472			
59°F	30,248	29,713	29,115			
64°F	30,891	30,347	29,740			
70°F	31,470	30,927	30,302			
75°F	31,914	31,353	30,728			
78°F	32,360	31,790	31,156			

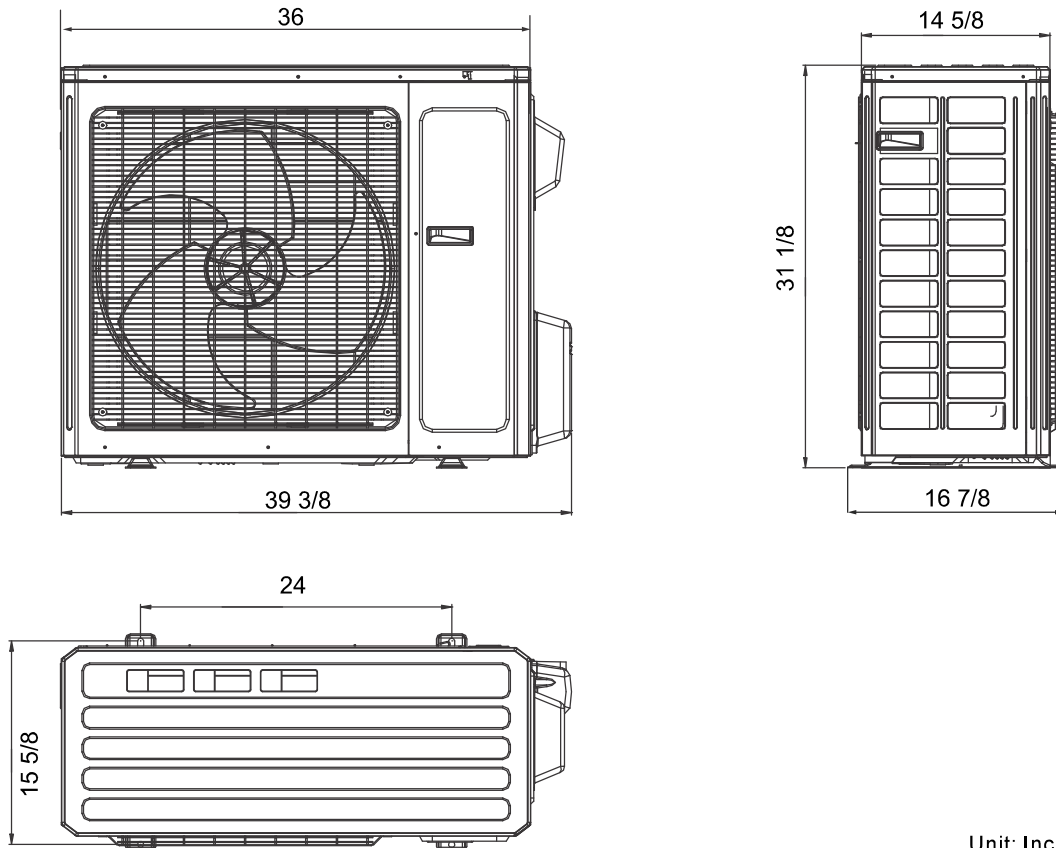
* Maximum System Capacity
 TC - Total Capacity(Btu/h)
 SHC - Sensible Capacity(Btu/h)



INDOOR UNIT DIMENSIONS



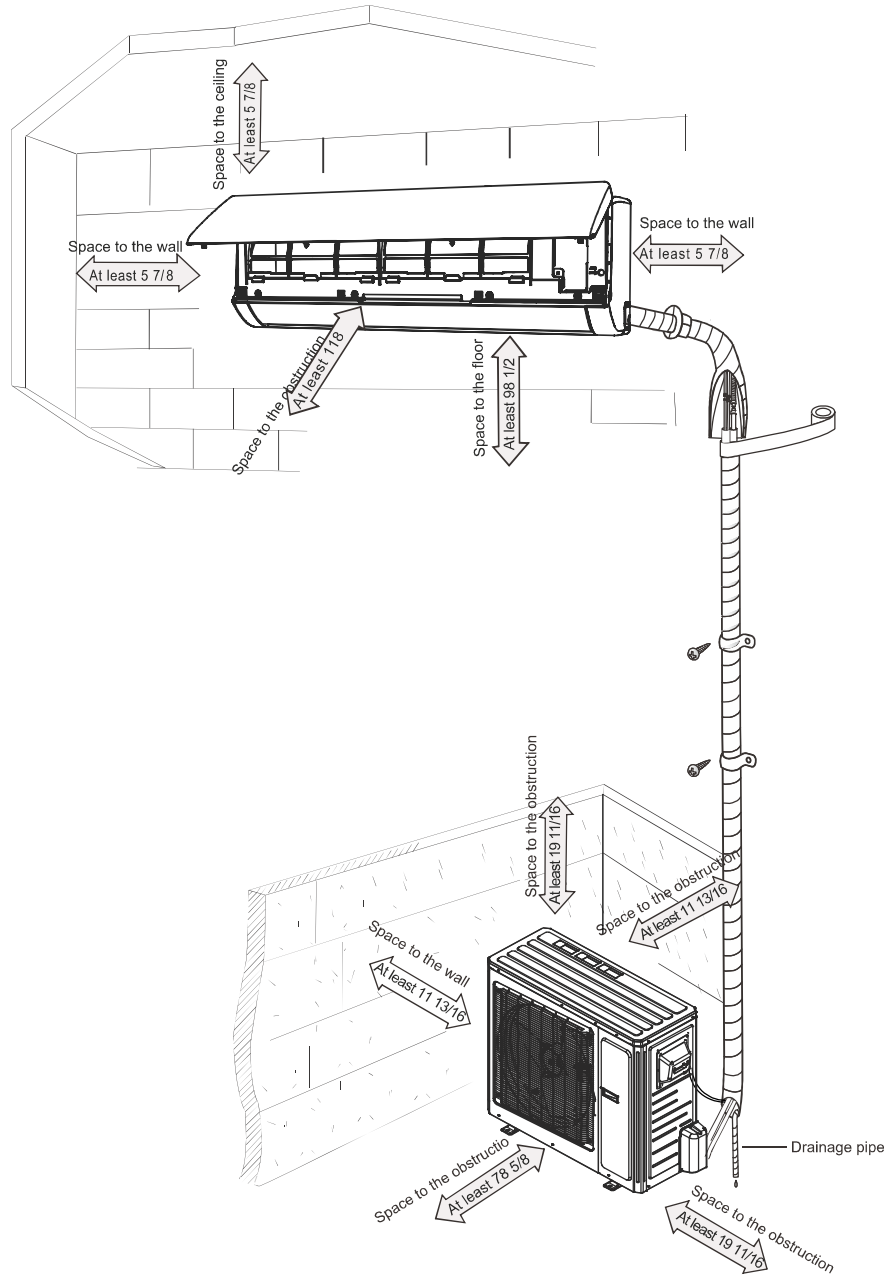
Unit: Inch

OUTDOOR UNIT DIMENSIONS

Unit: Inch



INSTALLATION DIAGRAM



TOSOT NORTH AMERICA
930 W 21ST STREET, CHICAGO IL 60608
TEL: +1(312)800-8455
EMAIL: SALES@TOSOT-NA.COM