



SINGLE ZONE WALL MOUNTED HEAT PUMP SYSTEM

TW24HQ2C2D		
Indoor Unit		TW24HQ2C2DI
Outdoor Unit		TW24HQ2C2DO
Performance		
Cooling Rated Capacity	Btu/h	22,000
Cooling Cap. Range Min-Max	Btu/h	6,824~27,296
SEER/EER		20.0/12.5
Heating Rated Capacity(47°F)	Btu/h	23,000
Heating Rated Capacity(17°F)	Btu/h	13,500
Heating Cap. Range Min-Max	Btu/h	6,824~30,708
HSPF/COP		10.0/3.4
Electrical		
Voltage, Phase, Cycle	V-Ph-Hz	208/230-1-60
Voltage Range	V	187~253
MCA	A	20.0
MOP	A	30
Compressor RLA	A	14.7
Fan Motor FLA	A	0.65
Cooling Power Input	W	1,760
Heating Power Input	W	2,000
Piping		
Pipe Length Min-Max	ft	10~82
Piping Lift	ft	33
Liquid Line	in	1/4
Vapor Line	in	5/8
Connection Type		Flare



Operating Range		
Cooling Outdoor DB	°F	0~115
Heating Outdoor DB	°F	-4~75
System Data		
Compressor Type		DC Inverter Rotary
Refrigerant Type		R410A
Pre-Charge	oz	77.6
Pre-Charge Length	ft	25
Additional Charge	oz/ft	0.5
Refrigerant Control		EXV
ODU Sound Pressure (Cooling/Heating)	dB(A)	59/59
IDU Sound Pressure (Cooling Min/Max)	dB(A)	36/48
IDU Sound Pressure (Heating Min/Max)	dB(A)	36/48
IDU Airflow (Cooling Min/Max)	cfm	530/706
IDU Airflow (Heating Min/Max)	cfm	530/706
Dehumidification	pts/hr	4.23



Job Name:		Date:	
Reference #:			
Signature:			

TOSOT NORTH AMERICA
 930W 21ST STREET, CHICAGO IL 60608
 TEL: +1(312)800-8455
 EMAIL: SALES@TOSOT-NA.COM



COOLING PERFORMANCE*								
Outdoor Ambient DB	Indoor Ambient Temperature							
	68°F DB		73°F DB		80°F DB		82°F DB	
	57°F WB		61°F WB		67°F WB		68°F WB	
	TC	SHC	TC	SHC	TC	SHC	TC	SHC
5°F	11,904	9,336	12,576	9,859	14,193	11,132	14,619	11,402
14°F	14,285	11,204	15,091	11,831	17,031	13,358	17,542	13,683
23°F	15,651	12,277	16,740	13,131	19,181	15,044	19,756	15,410
32°F	16,198	12,707	17,326	13,591	19,852	15,570	20,448	15,949
41°F	16,765	13,151	17,933	14,066	20,547	16,115	21,163	16,507
50°F	17,352	13,612	18,560	14,559	21,266	16,679	21,904	17,085
59°F	18,979	14,885	20,300	15,921	22,233	17,433	22,900	17,862
68°F	21,494	16,858	22,838	17,909	24,405	19,141	25,137	19,607
77°F	21,241	16,662	22,592	17,720	24,181	18,967	24,907	19,427
86°F	20,196	15,838	21,539	16,896	23,510	18,438	24,215	18,888
95°F	19,114	14,991	20,450	16,034	22,390	17,561	23,062	17,988
104°F	18,188	14,265	19,517	15,308	21,808	17,108	22,462	17,520
113°F	17,255	13,532	18,584	14,575	20,882	16,374	21,509	16,777

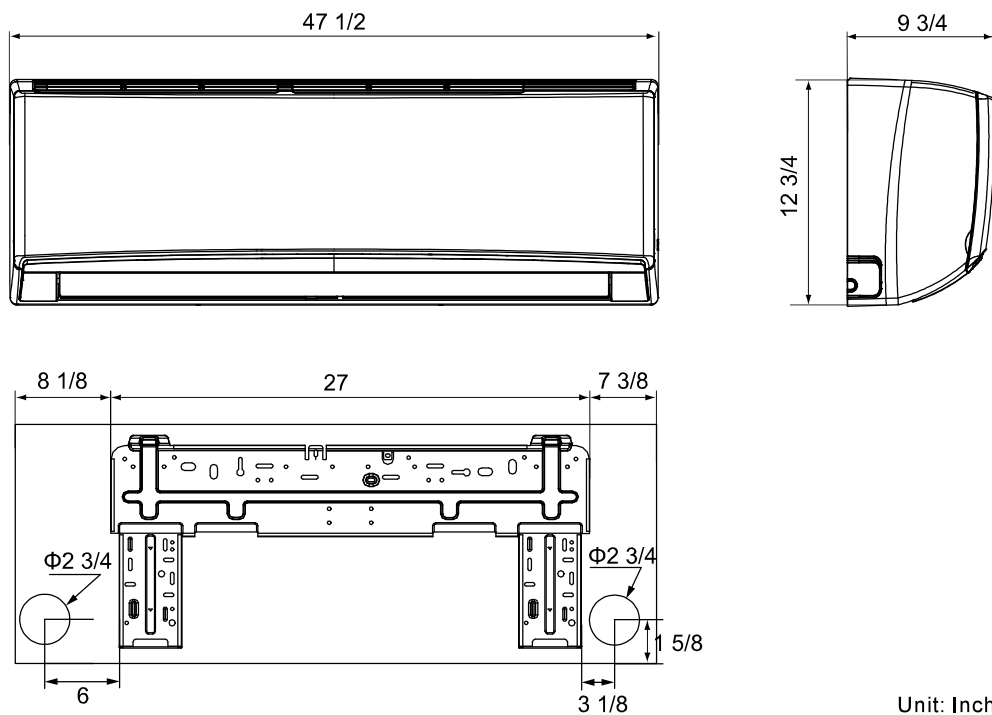
HEATING PERFORMANCE*								
Outdoor Ambient DB	Indoor Ambient Temperature							
	68°F DB		73°F DB		80°F DB		86°F DB	
	57°F WB		61°F WB		67°F WB		72°F WB	
	TC	SHC	TC	SHC	TC	SHC	TC	SHC
-4°F	13,068	13,068	12,848	12,848	12,465	12,465	12,329	12,329
0°F	14,160	14,160	13,924	13,924	13,509	13,509	13,351	13,351
6°F	14,938	14,938	14,687	14,687	14,249	14,249	14,082	14,082
10°F	15,559	15,559	15,300	15,300	14,844	14,844	14,671	14,671
16°F	16,030	16,030	15,763	15,763	15,293	15,293	15,111	15,111
19°F	16,337	16,337	16,070	16,070	15,591	15,591	15,402	15,402
24°F	18,176	18,176	17,901	17,901	17,367	17,367	17,240	17,240
32°F	20,313	20,313	20,038	20,038	19,441	19,441	19,378	19,378
41°F	22,757	22,757	22,490	22,490	21,819	21,819	21,822	21,822
43°F	23,370	23,370	23,095	23,095	22,406	22,406	22,435	22,435
47°F	23,516	23,516	23,108	23,108	22,420	22,420	22,104	22,104
53°F	23,749	23,749	23,334	23,334	22,639	22,639	22,323	22,323
59°F	24,294	24,294	23,865	23,865	23,154	23,154	22,832	22,832
64°F	24,811	24,811	24,374	24,374	23,648	23,648	23,319	23,319
70°F	25,277	25,277	24,840	24,840	24,100	24,100	23,763	23,763
75°F	25,633	25,633	25,182	25,182	24,432	24,432	24,091	24,091

* Maximum System Capacity
 TC - Total Capacity(Btu/h)
 SHC - Sensible Capacity(Btu/h)

TOSOT NORTH AMERICA
 930 W 21ST STREET, CHICAGO IL 60608
 TEL: +1(312)800-8455
 EMAIL: SALES@TOSOT-NA.COM

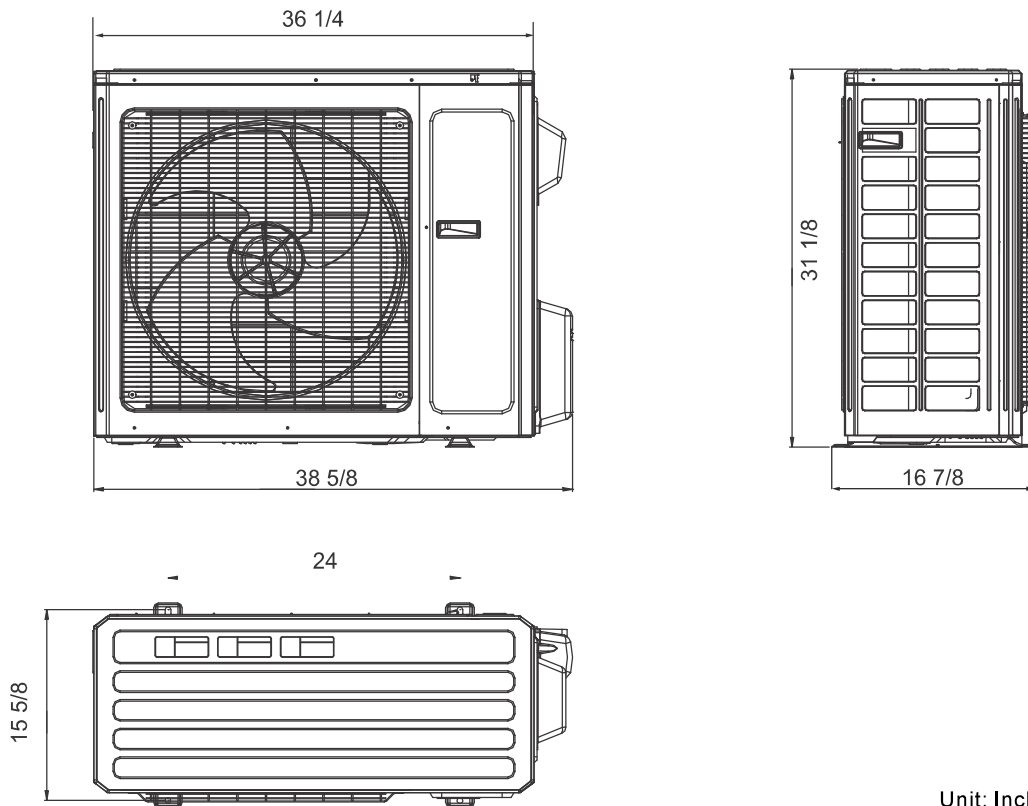


INDOOR UNIT DIMENSIONS



Unit: Inch

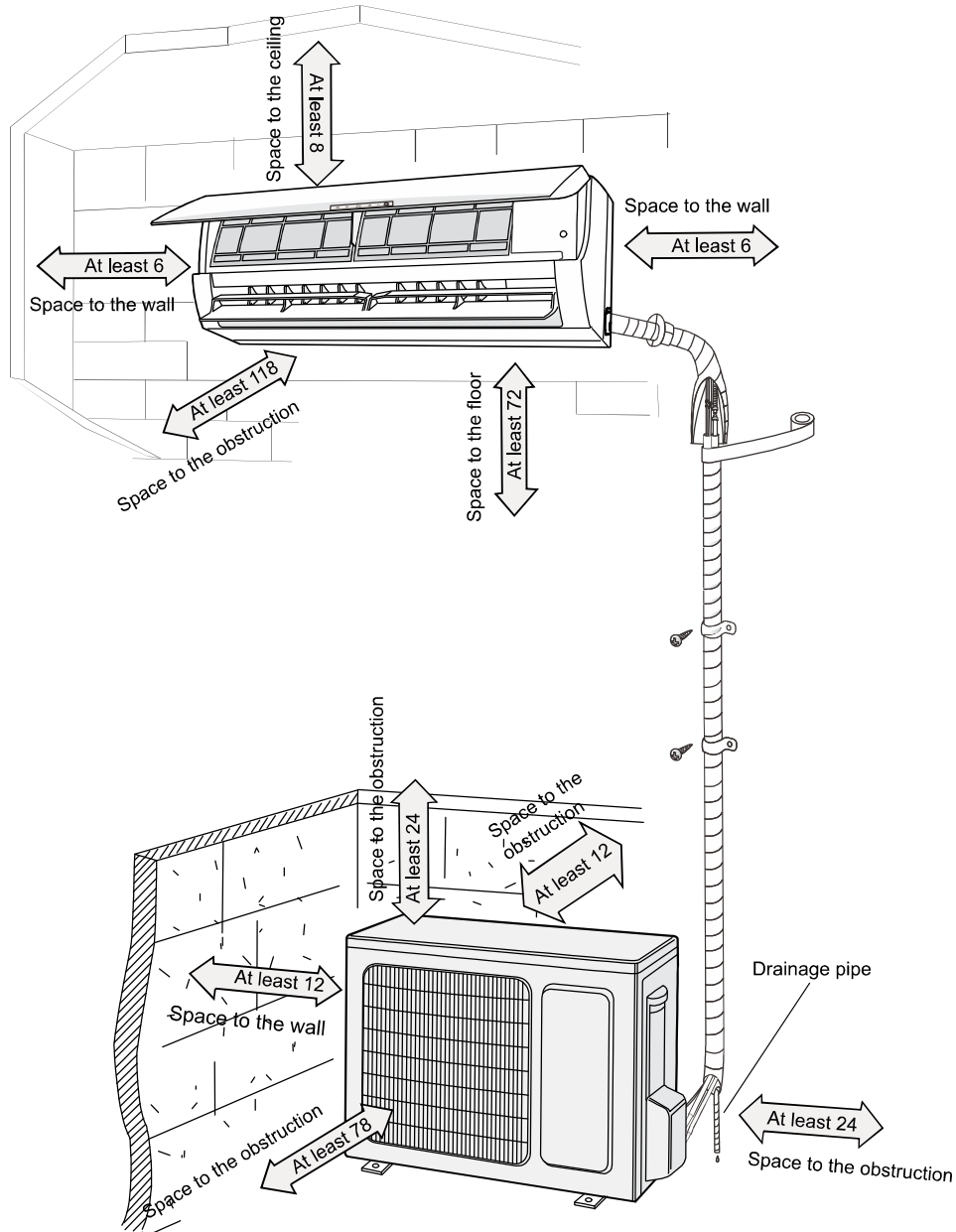
OUTDOOR UNIT DIMENSIONS



Unit: Inch



INSTALLATION DIAGRAM



Unit:inch

TOSOT NORTH AMERICA
930 W 21ST STREET, CHICAGO IL 60608
TEL: +1(312)800-8455
EMAIL: SALES@TOSOT-NA.COM