



SINGLE ZONE WALL MOUNTED HEAT PUMP SYSTEM

TW18HQ2C2D		
Indoor Unit		TW18HQ2C2DI
Outdoor Unit		TW18HQ2C2DO
Performance		
Cooling Rated Capacity	Btu/h	18,000
Cooling Cap. Range Min-Max	Btu/h	6,800~20,000
SEER/EER		20.0/12.5
Heating Rated Capacity(47°F)	Btu/h	19,800
Heating Rated Capacity(17°F)	Btu/h	12,400
Heating Cap. Range Min-Max	Btu/h	7,340~23,500
HSPF/COP		10.0/3.35
Electrical		
Voltage, Phase, Cycle	V-Ph-Hz	208/230-1-60
Voltage Range	V	187~253
MCA	A	16.0
MOP	A	25
Compressor RLA	A	12.1
Fan Motor FLA	A	0.49
Cooling Power Input	W	1,435
Heating Power Input	W	1,730
Piping		
Pipe Length Min-Max	ft	10~82
Piping Lift	ft	33
Liquid Line	in	1/4
Vapor Line	in	5/8
Connection Type		Flare



Operating Range		
Cooling Outdoor DB	°F	0~115
Heating Outdoor DB	°F	-4~75
System Data		
Compressor Type		DC Inverter Rotary
Refrigerant Type		R410A
Pre-Charge	oz	56.4
Pre-Charge Length	ft	25
Additional Charge	oz/ft	0.2
Refrigerant Control		EXV
ODU Sound Pressure (Cooling/Heating)	dB(A)	55/55
IDU Sound Pressure (Cooling Min/Max)	dB(A)	39/47
IDU Sound Pressure (Heating Min/Max)	dB(A)	39/47
IDU Airflow (Cooling Min/Max)	cfm	335/559
IDU Airflow (Heating Min/Max)	cfm	335/559
Dehumidification	pts/hr	3.80



Job Name:		Date:	
Reference #:			
Signature:			

TOSOT NORTH AMERICA
 930W 21ST STREET, CHICAGO IL 60608
 TEL: +1(312)800-8455
 EMAIL: SALES@TOSOT-NA.COM



COOLING PERFORMANCE*								
Outdoor Ambient DB	Indoor Ambient Temperature							
	68°F DB		73°F DB		80°F DB		82°F DB	
	57°F WB		61°F WB		67°F WB		68°F WB	
	TC	SHC	TC	SHC	TC	SHC	TC	SHC
5°F	11,484	9,007	12,132	9,511	13,692	10,739	14,072	11,037
14°F	11,778	9,238	12,438	9,754	14,214	11,146	14,609	11,456
23°F	12,582	9,870	13,458	10,557	15,420	12,094	15,848	12,430
32°F	15,258	11,967	16,320	12,799	17,874	14,015	18,371	14,404
41°F	17,280	13,553	18,360	14,398	19,620	15,388	20,165	15,816
50°F	17,076	13,395	18,162	14,246	19,440	15,248	19,980	15,672
59°F	16,656	13,061	17,736	13,911	19,260	15,109	19,795	15,528
68°F	16,236	12,732	17,316	13,583	18,900	14,823	19,425	15,235
77°F	15,822	12,410	16,896	13,249	18,540	14,543	19,055	14,947
86°F	15,366	12,052	16,440	12,890	18,000	14,118	18,500	14,510
95°F	14,994	11,760	16,062	12,599	17,766	13,936	18,260	14,323
104°F	14,622	11,468	15,690	12,307	17,532	13,753	18,019	14,135
113°F	13,872	10,879	14,940	11,717	16,788	13,164	17,254	13,530

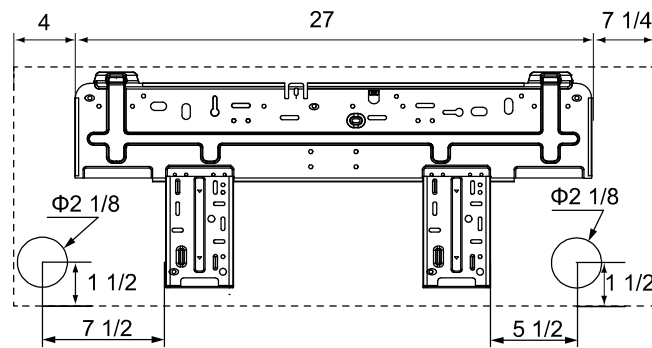
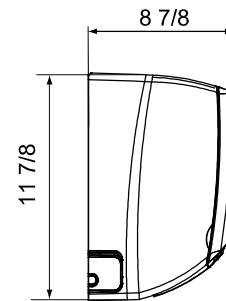
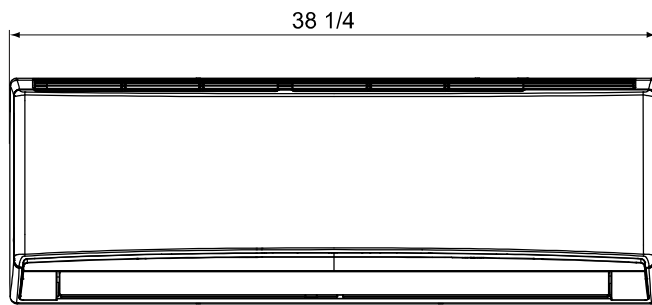
HEATING PERFORMANCE*								
Outdoor Ambient DB	Indoor Ambient Temperature							
	68°F DB		73°F DB		80°F DB		86°F DB	
	57°F WB		61°F WB		67°F WB		72°F WB	
	TC	SHC	TC	SHC	TC	SHC	TC	SHC
-4°F	10,389	10,389	10,290	10,290	10,117	10,117	9,708	9,708
0°F	11,255	11,255	11,150	11,150	10,964	10,964	10,513	10,513
6°F	11,874	11,874	11,762	11,762	11,564	11,564	11,088	11,088
10°F	12,369	12,369	12,251	12,251	12,047	12,047	11,552	11,552
16°F	12,740	12,740	12,623	12,623	12,412	12,412	11,899	11,899
19°F	12,994	12,994	12,864	12,864	12,653	12,653	12,128	12,128
24°F	14,435	14,435	14,312	14,312	14,095	14,095	13,575	13,575
32°F	16,118	16,118	15,995	15,995	15,778	15,778	15,258	15,258
41°F	18,043	18,043	17,919	17,919	17,709	17,709	17,183	17,183
43°F	18,525	18,525	18,402	18,402	18,185	18,185	17,665	17,665
47°F	20,202	20,202	19,998	19,998	19,652	19,652	18,798	18,798
53°F	20,406	20,406	20,196	20,196	19,843	19,843	18,983	18,983
59°F	20,870	20,870	20,660	20,660	20,295	20,295	19,416	19,416
64°F	21,316	21,316	21,099	21,099	20,728	20,728	19,831	19,831
70°F	21,718	21,718	21,495	21,495	21,124	21,124	20,208	20,208
75°F	22,021	22,021	21,799	21,799	21,415	21,415	20,487	20,487

* Maximum System Capacity
 TC - Total Capacity(Btu/h)
 SHC - Sensible Capacity(Btu/h)

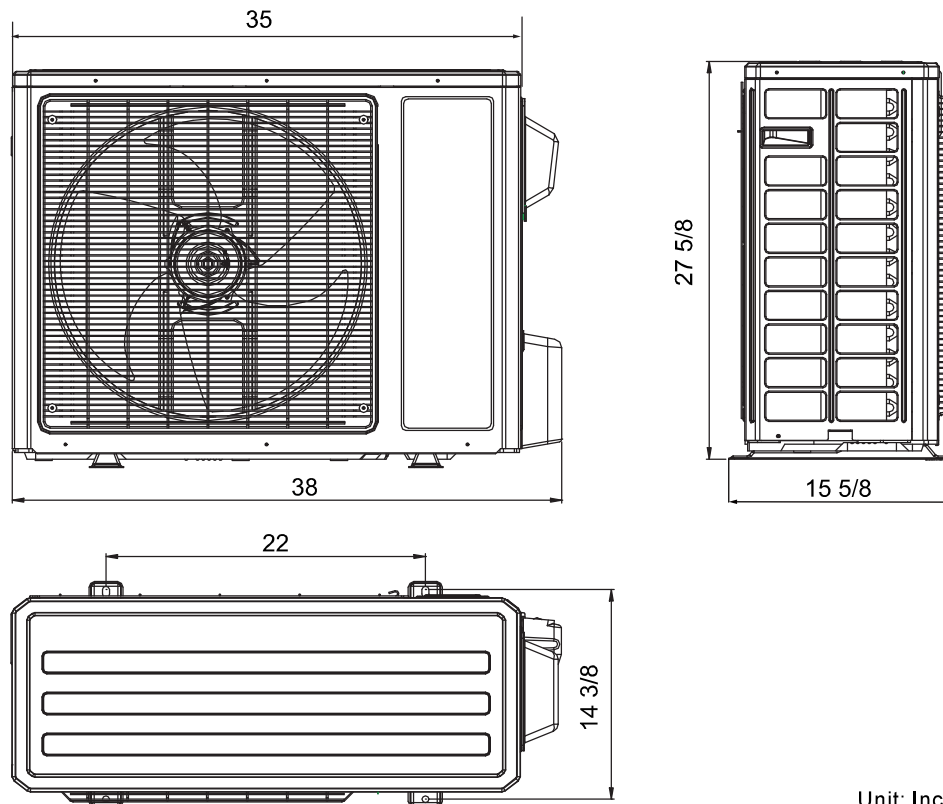
TOSOT NORTH AMERICA
 930 W 21ST STREET, CHICAGO IL 60608
 TEL: +1(312)800-8455
 EMAIL: SALES@TOSOT-NA.COM



INDOOR UNIT DIMENSIONS



Unit: Inch

OUTDOOR UNIT DIMENSIONS

Unit: Inch



INSTALLATION DIAGRAM

