



**SINGLE ZONE WALL MOUNTED HEAT PUMP SYSTEM**

<b>TW12HQ2C2D</b>		
Indoor Unit		TW12HQ2C2DI
Outdoor Unit		TW12HQ2C2DO
<b>Performance</b>		
Cooling Rated Capacity	Btu/h	12,000
Cooling Cap. Range Min-Max	Btu/h	3,100~13,000
SEER/EER		22.0/12.5
Heating Rated Capacity(47°F)	Btu/h	13,000
Heating Rated Capacity(17°F)	Btu/h	7,700
Heating Cap. Range Min-Max	Btu/h	2,400~14,000
HSPF/COP		10.1/3.5
<b>Electrical</b>		
Voltage, Phase, Cycle	V-Ph-Hz	208/230-1-60
Voltage Range	V	187~253
MCA	A	9.0
MOP	A	15
Compressor RLA	A	6.6
Fan Motor FLA	A	0.36
Cooling Power Input	W	960
Heating Power Input	W	1,100
<b>Piping</b>		
Pipe Length Min-Max	ft	10~66
Piping Lift	ft	33
Liquid Line	in	1/4
Vapor Line	in	1/2
Connection Type		Flare



<b>Operating Range</b>		
Cooling Outdoor DB	°F	0~115
Heating Outdoor DB	°F	-4~75
<b>System Data</b>		
Compressor Type		DC Inverter Rotary
Refrigerant Tpye		R410A
Pre-Charge	oz	47.6
Pre-Charge Length	ft	25
Additional Charge	oz/ft	0.21
Refrigerant Control		EXV
ODU Sound Pressure (Cooling/Heating)	dB(A)	54/54
IDU Sound Pressure (Cooling Min/Max)	dB(A)	29/45
IDU Sound Pressure (Heating Min/Max)	dB(A)	29/45
IDU Airflow (Cooling Min/Max)	cfm	171/400
IDU Airflow (Heating Min/Max)	cfm	171/400
Dehumidification	pts/hr	2.96



Job Name:		Date:	
Reference #:			
Signature:			

**TOSOT NORTH AMERICA**  
 930 W 21ST STREET, CHICAGO IL 60608  
 TEL: +1(312)800-8455  
 EMAIL: SALES@TOSOT-NA.COM



<b>COOLING PERFORMANCE*</b>								
Outdoor Ambient DB	Indoor Ambient Temperature							
	68°F DB		73°F DB		80°F DB		82°F DB	
	57°F WB		61°F WB		67°F WB		68°F WB	
	TC	SHC	TC	SHC	TC	SHC	TC	SHC
5°F	7,656	6,005	8,088	6,341	9,128	7,159	9,508	7,458
14°F	7,852	6,159	8,292	6,503	9,476	7,431	9,871	7,740
23°F	8,388	6,580	8,972	7,038	10,280	8,063	10,708	8,399
32°F	10,172	7,978	10,880	8,533	11,916	9,343	12,413	9,732
41°F	11,520	9,035	12,240	9,598	13,080	10,259	13,625	10,686
50°F	11,384	8,930	12,108	9,497	12,960	10,166	13,500	10,589
59°F	11,104	8,707	11,824	9,274	12,840	10,072	13,375	10,492
68°F	10,824	8,488	11,544	9,055	12,600	9,882	13,125	10,294
77°F	10,548	8,273	11,264	8,833	12,360	9,696	12,875	10,100
86°F	10,244	8,034	10,960	8,594	12,000	9,412	12,500	9,804
95°F	9,996	7,840	10,708	8,399	11,844	9,290	12,338	9,678
104°F	9,748	7,645	10,460	8,205	11,688	9,169	12,175	9,551
113°F	9,248	7,252	9,960	7,812	11,192	8,776	11,658	9,142

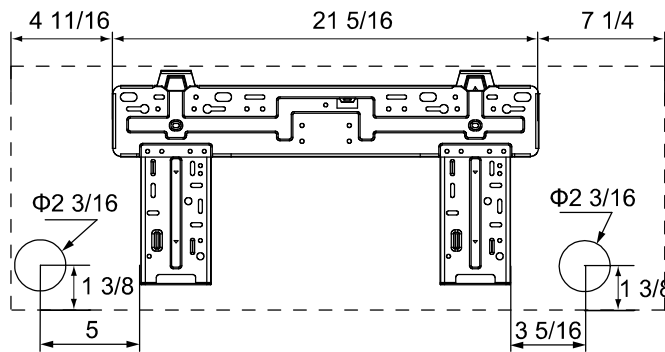
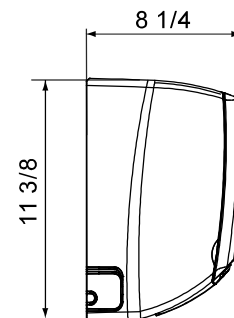
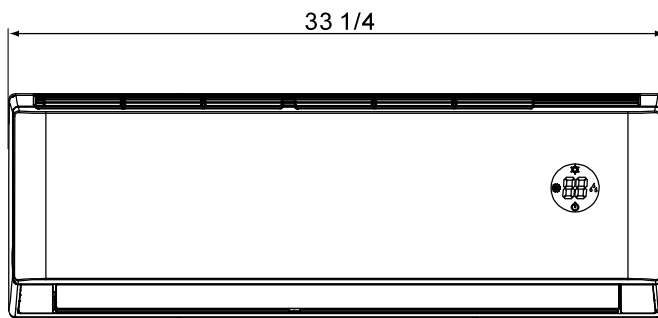
<b>HEATING PERFORMANCE*</b>								
Outdoor Ambient DB	Indoor Ambient Temperature							
	68°F DB		73°F DB		80°F DB		86°F DB	
	57°F WB		61°F WB		67°F WB		72°F WB	
	TC	SHC	TC	SHC	TC	SHC	TC	SHC
-4°F	6,821	6,821	6,756	6,756	6,642	6,642	6,374	6,374
0°F	7,390	7,390	7,321	7,321	7,199	7,199	6,902	6,902
6°F	7,796	7,796	7,723	7,723	7,593	7,593	7,280	7,280
10°F	8,121	8,121	8,044	8,044	7,910	7,910	7,585	7,585
16°F	8,365	8,365	8,288	8,288	7,648	7,648	7,812	7,812
19°F	8,531	8,531	8,446	8,446	8,149	8,149	7,963	7,963
24°F	9,478	9,478	9,397	9,397	8,308	8,308	8,913	8,913
32°F	10,583	10,583	10,502	10,502	9,254	9,254	10,018	10,018
41°F	11,846	11,846	11,765	11,765	10,359	10,359	11,282	11,282
43°F	12,163	12,163	12,082	12,082	11,627	11,627	11,598	11,598
47°F	13,264	13,264	13,130	13,130	11,940	11,940	12,342	12,342
53°F	13,398	13,398	13,260	13,260	12,903	12,903	12,464	12,464
59°F	13,703	13,703	13,565	13,565	13,028	13,028	12,748	12,748
64°F	13,995	13,995	13,853	13,853	13,325	13,325	13,020	13,020
70°F	14,259	14,259	14,113	14,113	13,609	13,609	13,268	13,268
75°F	14,458	14,458	14,312	14,312	14,060	14,060	13,451	13,451

\* Maximum System Capacity  
 TC - Total Capacity(Btu/h)  
 SHC - Sensible Capacity(Btu/h)

**TOSOT NORTH AMERICA**  
 930 W 21ST STREET, CHICAGO IL 60608  
 TEL: +1(312)800-8455  
 EMAIL: SALES@TOSOT-NA.COM

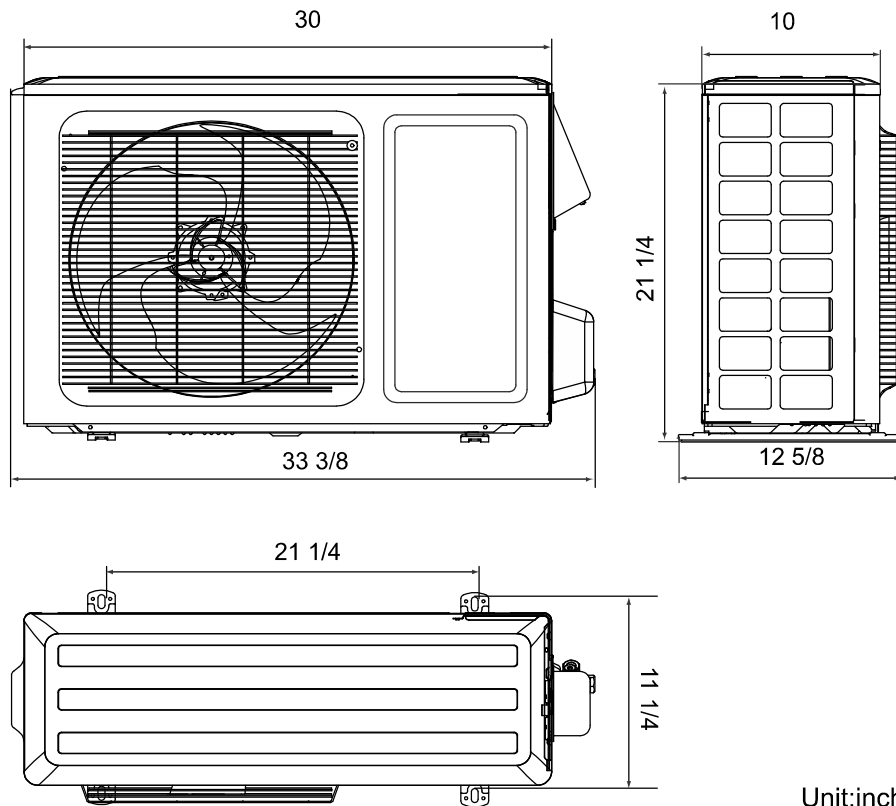


**INDOOR UNIT DIMENSIONS**



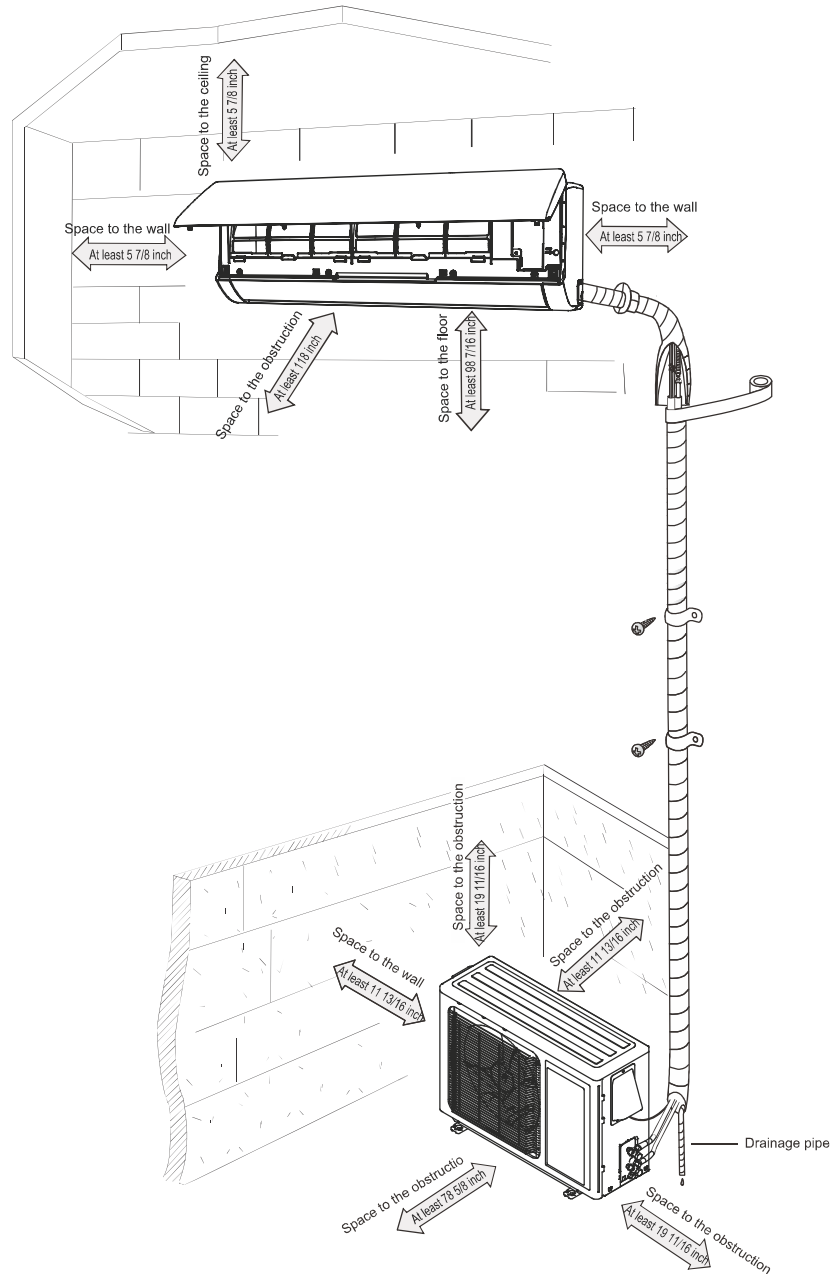
Unit: Inch

### OUTDOOR UNIT DIMENSIONS





### INSTALLATION DIAGRAM



**TOSOT NORTH AMERICA**  
930 W 21ST STREET, CHICAGO IL 60608  
TEL: +1(312)800-8455  
EMAIL: SALES@TOSOT-NA.COM