



SINGLE ZONE WALL MOUNTED HEAT PUMP SYSTEM

TW09HQ2C2D		
Indoor Unit		TW09HQ2C2DI
Outdoor Unit		TW09HQ2C2DO
Performance		
Cooling Rated Capacity	Btu/h	9,000
Cooling Cap. Range Min-Max	Btu/h	3,100~9,600
SEER/EER		23.0/14.3
Heating Rated Capacity(47°F)	Btu/h	11,000
Heating Rated Capacity(17°F)	Btu/h	7,600
Heating Cap. Range Min-Max	Btu/h	1,911~12,000
HSPF/COP		10.5/3.2
Electrical		
Voltage, Phase, Cycle	V-Ph-Hz	208/230-1-60
Voltage Range	V	187~253
MCA	A	9.0
MOP	A	15
Compressor RLA	A	4.0
Fan Motor FLA	A	0.4
Cooling Power Input	W	630
Heating Power Input	W	1,020
Piping		
Pipe Length Min-Max	ft	10~49
Piping Lift	ft	33
Liquid Line	in	1/4
Vapor Line	in	3/8
Connection Type		Flare



Operating Range		
Cooling Outdoor DB	°F	0~115
Heating Outdoor DB	°F	-4~75
System Data		
Compressor Type		DC Inverter Rotary
Refrigerant Type		R410A
Pre-Charge	oz	45.9
Pre-Charge Length	ft	25
Additional Charge	oz/ft	0.215
Refrigerant Control		EXV
ODU Sound Pressure (Cooling/Heating)	dB(A)	53/53
IDU Sound Pressure (Cooling Min/Max)	dB(A)	29/43
IDU Sound Pressure (Heating Min/Max)	dB(A)	29/43
IDU Airflow (Cooling Min/Max)	cfm	171/377
IDU Airflow (Heating Min/Max)	cfm	171/377
Dehumidification	pts/hr	1.69



Job Name:		Date:	
Reference #:			
Signature:			

TOSOT NORTH AMERICA
 930W 21ST STREET, CHICAGO IL 60608
 TEL: +1(312)800-8455
 EMAIL: SALES@TOSOT-NA.COM



COOLING PERFORMANCE*								
Outdoor Ambient DB	Indoor Ambient Temperature							
	68°F DB		73°F DB		80°F DB		82°F DB	
	57°F WB		61°F WB		67°F WB		68°F WB	
	TC	SHC	TC	SHC	TC	SHC	TC	SHC
0°F	5,748	4,508	6,073	4,761	6,854	5,375	6,914	5,423
5°F	5,896	4,624	6,226	4,883	7,115	5,579	7,178	5,629
14°F	6,298	4,940	6,736	5,284	7,719	6,054	7,787	6,108
23°F	7,637	5,990	8,169	6,407	8,947	7,015	9,026	7,077
32°F	8,650	6,784	9,190	7,207	9,821	7,703	9,908	7,771
41°F	8,547	6,705	9,091	7,131	9,731	7,633	9,817	7,700
50°F	8,337	6,538	8,878	6,963	9,641	7,563	9,726	7,630
59°F	8,127	6,373	8,668	6,799	9,461	7,420	9,545	7,486
68°F	7,920	6,212	8,457	6,632	9,280	7,280	9,363	7,344
77°F	7,692	6,033	8,229	6,452	9,010	7,067	9,090	7,130
86°F	7,505	5,887	8,040	6,306	8,893	6,976	8,972	7,038
95°F	7,319	5,740	7,854	6,160	8,776	6,884	8,854	6,945
104°F	6,944	5,445	7,478	5,865	8,403	6,589	8,478	6,648

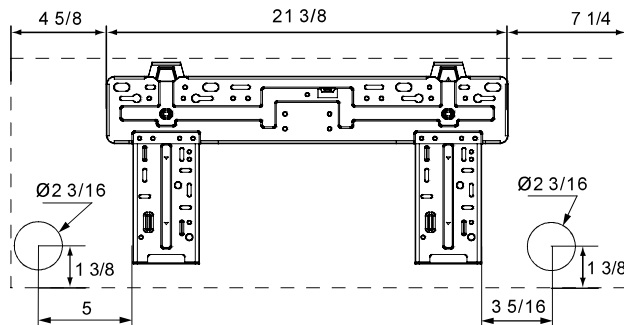
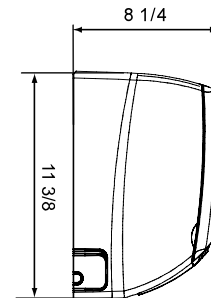
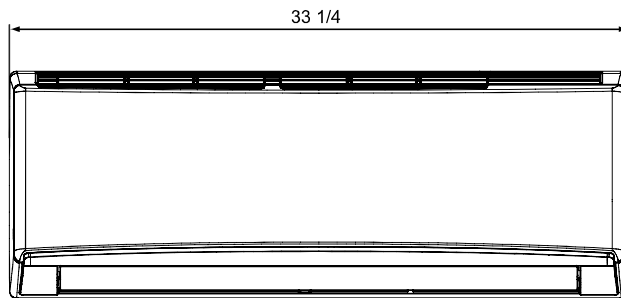
HEATING PERFORMANCE*								
Outdoor Ambient DB	Indoor Ambient Temperature							
	68°F DB		73°F DB		80°F DB		86°F DB	
	57°F WB		61°F WB		67°F WB		72°F WB	
	TC	SHC	TC	SHC	TC	SHC	TC	SHC
-4°F	5,772	5,772	5,717	5,717	5,620	5,620	5,393	5,393
0°F	6,253	6,253	6,194	6,194	6,091	6,091	5,840	5,840
6°F	6,597	6,597	6,535	6,535	6,425	6,425	6,160	6,160
10°F	6,872	6,872	6,806	6,806	6,693	6,693	6,418	6,418
16°F	7,078	7,078	7,013	7,013	6,896	6,896	6,610	6,610
19°F	7,219	7,219	7,147	7,147	7,030	7,030	6,738	6,738
24°F	8,020	8,020	7,951	7,951	7,831	7,831	7,542	7,542
32°F	8,955	8,955	8,886	8,886	8,766	8,766	8,477	8,477
41°F	10,024	10,024	9,955	9,955	9,838	9,838	9,546	9,546
43°F	10,292	10,292	10,223	10,223	10,103	10,103	9,814	9,814
47°F	11,223	11,223	11,110	11,110	10,918	10,918	10,443	10,443
53°F	11,337	11,337	11,220	11,220	11,024	11,024	10,546	10,546
59°F	11,595	11,595	11,478	11,478	11,275	11,275	10,787	10,787
64°F	11,842	11,842	11,722	11,722	11,516	11,516	11,017	11,017
70°F	12,066	12,066	11,942	11,942	11,736	11,736	11,227	11,227
75°F	12,234	12,234	12,110	12,110	11,897	11,897	11,382	11,382

* Maximum System Capacity
 TC - Total Capacity(Btu/h)
 SHC - Sensible Capacity(Btu/h)

TOSOT NORTH AMERICA
 930 W 21ST STREET, CHICAGO IL 60608
 TEL: +1(312)800-8455
 EMAIL: SALES@TOSOT-NA.COM



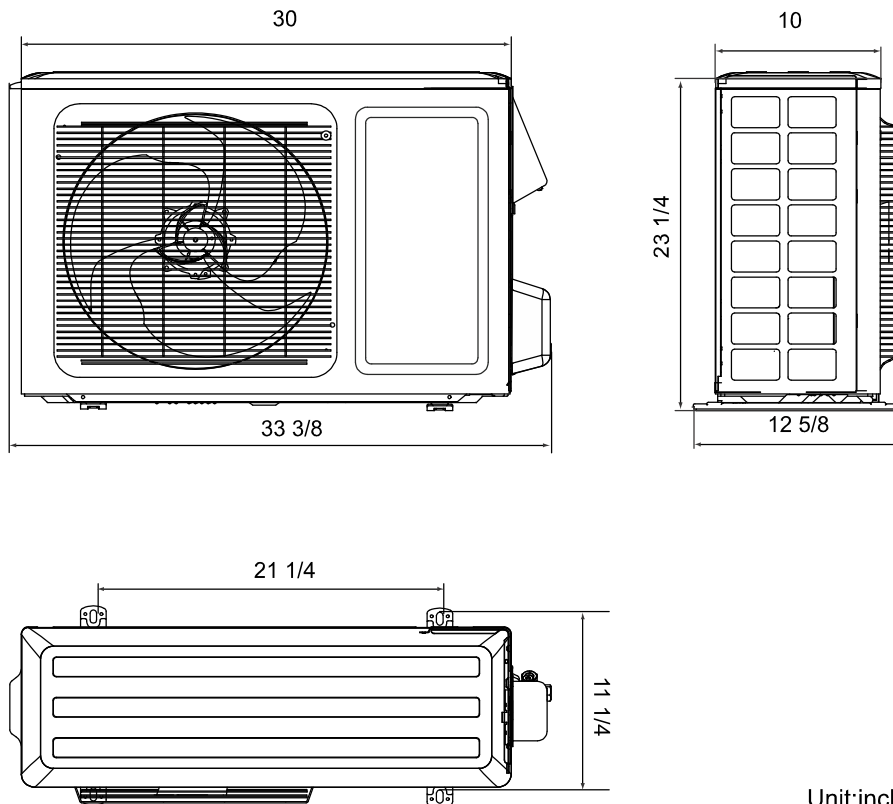
INDOOR UNIT DIMENSIONS



Unit:inch



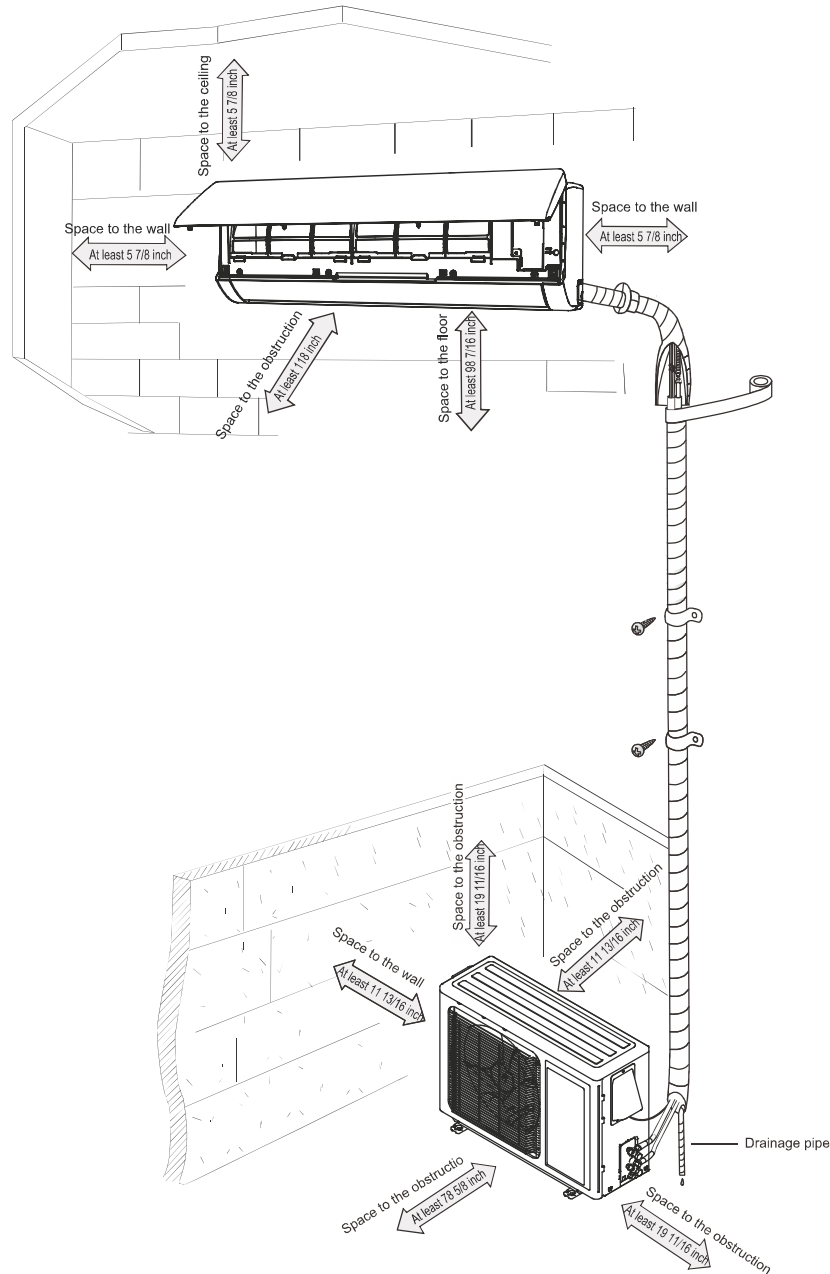
OUTDOOR UNIT DIMENSIONS



Unit:inch



INSTALLATION DIAGRAM



TOSOT NORTH AMERICA
930 W 21ST STREET, CHICAGO IL 60608
TEL: +1(312)800-8455
EMAIL: SALES@TOSOT-NA.COM