



SINGLE ZONE WALL MOUNTED HEAT PUMP SYSTEM

TW36HQ1B4D		
Indoor Unit		TW36HQ1B4DI
Outdoor Unit		TW36HQ1B4DO
Performance		
Cooling Rated Capacity	Btu/h	33,600
Cooling Cap. Range Min-Max	Btu/h	7,400~36,000
SEER/EER		16.0/8.2
Heating Rated Capacity(47°F)	Btu/h	34,600
Heating Rated Capacity(17°F)	Btu/h	20,600
Heating Cap. Range Min-Max	Btu/h	15,000~36,000
HSPF/COP		8.2/2.7
Electrical		
Voltage, Phase, Cycle	V-Ph-Hz	208/230-1-60
Voltage Range	V	187~253
MCA	A	24.0
MOP	A	40
Compressor RLA	A	17.5
Fan Motor FLA	A	0.4
Cooling Power Input	W	3,900
Heating Power Input	W	3,800
Piping		
Pipe Length Min-Max	ft	10~98
Piping Lift	ft	33
Liquid Line	in	1/4
Vapor Line	in	5/8
Connection Type		Flare



Operating Range		
Cooling Outdoor DB	°F	0~109
Heating Outdoor DB	°F	-4~75
System Data		
Compressor Type		DC Inverter Rotary
Refrigerant Type		R410A
Pre-Charge	oz	91.7
Pre-Charge Length	ft	25
Additional Charge	oz/ft	0.54
Refrigerant Control		EXV
ODU Sound Pressure (Cooling/Heating)	dB(A)	65/65
IDU Sound Pressure (Cooling Min/Max)	dB(A)	41/56
IDU Sound Pressure (Heating Min/Max)	dB(A)	41/56
IDU Airflow (Cooling Min/Max)	cfm	412/736
IDU Airflow (Heating Min/Max)	cfm	412/736
Dehumidification	pts/hr	7.40



Job Name:		Date:	
Reference #:			
Signature:			

TOSOT NORTH AMERICA
 930W 21ST STREET, CHICAGO IL 60608
 TEL: +1(312)800-8455
 EMAIL: SALES@TOSOT-NA.COM



Features	
Inverter Type	G10
Ultra Low Frequency Torque Control	Standard
Power Factor Correction	Standard
Compressor Type	High Eff. Rotary
Refrigerant Type	R410A
Basepan With Electric Heater	Standard
Compressor With Electric Heater	Standard
Outdoor Fin Coating	Blue Fin
Intelligent Defrosting	Standard
Intelligent Preheating	Standard
Low Voltage Startup	Standard
Memory/Power Failure Recovery	Standard
Self Diagnosis	Standard
Wired Controller Interface (XK-41)	Standard
Wi-Fi Interface Capable	Not Available
Indoor Fan Type	Crossflow
Multi Fan Speeds	4 Speeds
Indoor Unit Display	Standard
Advance Filter	Optional
Auxiliary Electrical Heater	Not Available
Ventilation (Outdoor Air)	Not Available

Remote Controller Functions	
Auto Mode	Standard
Auto Fan	Standard
Auto Swing - Horizontal	Not Available
Auto Swing - Vertical	Standard
Clock on Remote Controller	Standard
Dry Mode	Standard
Dry Anti-Mildew (X-Fan) Mode	Not Available
Energy Saving Mode	Standard
Dirty Filter Alert	Not Available
I Feel Function	Standard
Lock on Remote Controller	Standard
Quiet Mode	Not Available
Room Temperature Display	Standard
Sleep Mode	Standard
4 Sleep Modes Options	Not Available
Timer Mode	Standard
Turbo Mode	Standard
Display On/Off Control	Standard
Freeze Guard Mode	Standard



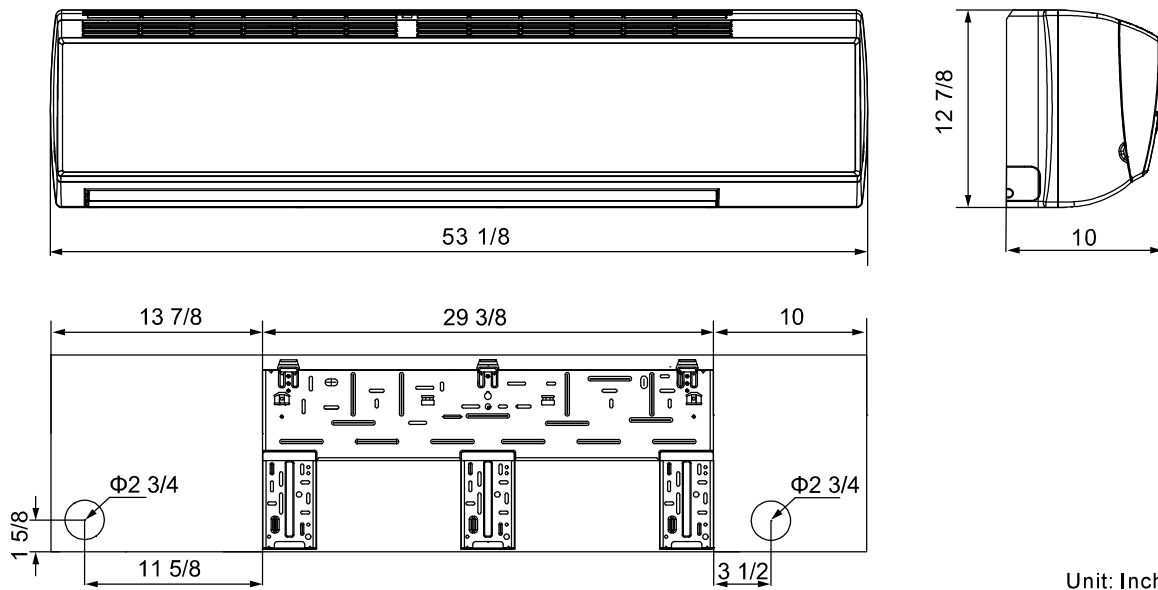
COOLING PERFORMANCE*								
Outdoor Ambient DB	Indoor Ambient Temperature							
	68°F DB		73°F DB		80°F DB		82°F DB	
	57°F WB		61°F WB		67°F WB		68°F WB	
	TC	SHC	TC	SHC	TC	SHC	TC	SHC
0°F	18,931	14,847	19,999	15,679	22,571	17,703	22,909	17,968
5°F	19,555	15,337	20,658	16,196	23,315	18,286	23,665	18,561
14°F	20,803	16,316	21,977	17,230	24,803	19,454	25,175	19,745
23°F	22,792	17,879	24,379	19,123	27,933	21,909	28,352	22,237
32°F	23,932	18,773	25,598	20,079	29,330	23,004	29,770	23,349
41°F	25,129	19,712	26,878	21,083	30,796	24,154	31,258	24,517
50°F	26,385	20,697	28,222	22,138	32,336	25,362	32,821	25,742
59°F	27,640	21,677	29,564	23,186	32,379	25,388	32,864	25,769
68°F	31,303	24,551	33,259	26,081	35,542	27,876	36,075	28,294
77°F	30,933	24,265	32,900	25,806	35,216	27,622	35,744	28,037
86°F	29,412	23,065	31,368	24,606	34,237	26,852	34,751	27,255
95°F	27,836	21,832	29,781	23,351	32,607	25,575	33,096	25,958
104°F	26,488	20,775	28,422	22,294	31,759	24,914	32,236	25,288
113°F	25,129	19,707	27,064	21,226	30,411	23,846	30,868	24,204
115°F	25,000	19,605	26,897	21,095	30,228	23,703	30,681	24,059
HEATING PERFORMANCE*								
Outdoor Ambient DB	Indoor Ambient Temperature							
	68°F DB		73°F DB		80°F DB		86°F DB	
	57°F WB		61°F WB		67°F WB		72°F WB	
	TC	SHC	TC	SHC	TC	SHC	TC	SHC
-4°F	17,515	17,515	17,220	17,220	16,718	16,718	16,525	16,525
0°F	18,979	18,979	18,663	18,663	18,104	18,104	17,894	17,894
6°F	20,022	20,022	19,685	19,685	19,104	19,104	18,874	18,874
10°F	20,854	20,854	20,506	20,506	19,895	19,895	19,664	19,664
16°F	21,486	21,486	21,128	21,128	20,489	20,489	20,253	20,253
19°F	21,896	21,896	21,538	21,538	20,885	20,885	20,643	20,643
24°F	24,361	24,361	23,992	23,992	23,322	23,322	23,108	23,108
32°F	27,226	27,226	26,857	26,857	26,156	26,156	25,972	25,972
41°F	30,323	30,323	30,143	30,143	29,395	29,395	29,248	29,248
43°F	31,323	31,323	30,954	30,954	30,208	30,208	30,069	30,069
47°F	34,040	34,040	33,450	33,450	32,416	32,416	31,997	31,997
53°F	34,377	34,377	33,777	33,777	32,739	32,739	32,313	32,313
59°F	35,167	35,167	34,546	34,546	33,478	33,478	33,050	33,050
64°F	35,915	35,915	35,283	35,283	34,197	34,197	33,756	33,756
70°F	36,589	36,589	35,957	35,957	34,843	34,843	34,398	34,398
75°F	37,105	37,105	36,452	36,452	35,333	35,333	34,872	34,872

* Maximum System Capacity
 TC - Total Capacity(Btu/h)
 SHC - Sensible Capacity(Btu/h)

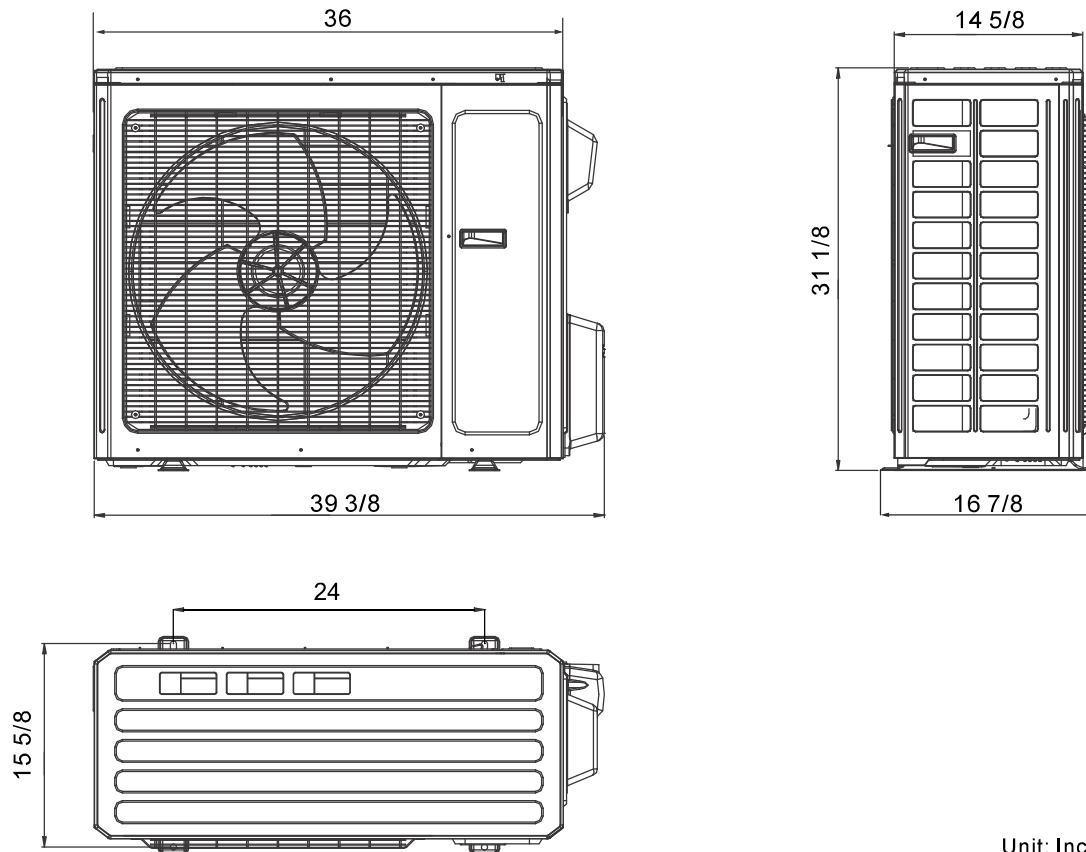
TOSOT NORTH AMERICA
 930 W 21ST STREET, CHICAGO IL 60608
 TEL: +1(312)800-8455
 EMAIL: SALES@TOSOT-NA.COM



INDOOR UNIT DIMENSIONS



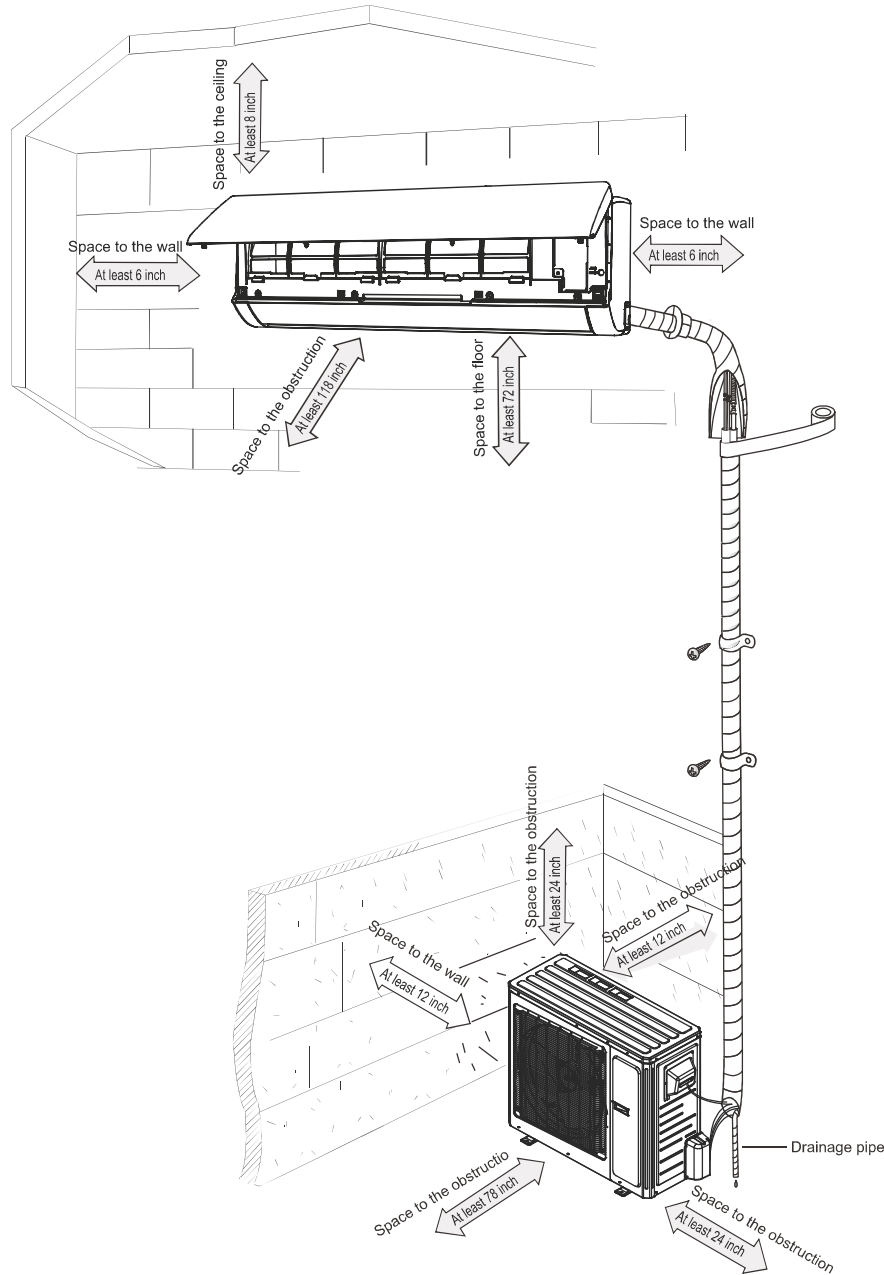
Unit: Inch

OUTDOOR UNIT DIMENSIONS

Unit: Inch



INSTALLATION DIAGRAM



TOSOT NORTH AMERICA
 930 W 21ST STREET, CHICAGO IL 60608
 TEL: +1(312)800-8455
 EMAIL: SALES@TOSOT-NA.COM