



## SINGLE ZONE WALL MOUNTED HEAT PUMP SYSTEM

<b>TW09HQ1C2D</b>		
Indoor Unit		TW09HQ1C2DI
Outdoor Unit		TW09HQ1C2DO
<b>Performance</b>		
Cooling Rated Capacity	Btu/h	9,000
Cooling Cap. Range Min-Max	Btu/h	3,100~9,600
SEER/EER		16.0/10.0
Heating Rated Capacity(47°F)	Btu/h	9,500
Heating Rated Capacity(17°F)	Btu/h	5,600
Heating Cap. Range Min-Max	Btu/h	3,100~12,000
HSPF/COP		9.0/3.5
<b>Electrical</b>		
Voltage, Phase, Cycle	V-Ph-Hz	208/230-1-60
Voltage Range	V	187~253
MCA	A	9.0
MOP	A	15
Compressor RLA	A	6.6
Fan Motor FLA	A	0.37
Cooling Power Input	W	900
Heating Power Input	W	800
<b>Piping</b>		
Pipe Length Min-Max	ft	10~49
Piping Lift	ft	33
Liquid Line	in	1/4
Vapor Line	in	3/8
Connection Type		Flare



<b>Operating Range</b>		
Cooling Outdoor DB	°F	0~115
Heating Outdoor DB	°F	-4~75
<b>System Data</b>		
Compressor Type		DC Inverter Rotary
Refrigerant Type		R410A
Pre-Charge	oz	24.7
Pre-Charge Length	ft	25
Additional Charge	oz/ft	0.2
Refrigerant Control		EXV
ODU Sound Pressure (Cooling/Heating)	dB(A)	52/52
IDU Sound Pressure (Cooling Min/Max)	dB(A)	28/43
IDU Sound Pressure (Heating Min/Max)	dB(A)	28/43
IDU Airflow (Cooling Min/Max)	cfm	171/318
IDU Airflow (Heating Min/Max)	cfm	171/318
Dehumidification	pts/hr	1.69



Job Name:		Date:	
Reference #:			
Signature:			

**TOSOT NORTH AMERICA**  
 930W 21ST STREET, CHICAGO IL 60608  
 TEL: +1(312)800-8455  
 EMAIL: SALES@TOSOT-NA.COM



Features	
Inverter Type	G10
Ultra Low Frequency Torque Control	Standard
Power Factor Correction	Standard
Compressor Type	High Eff. Rotary
Refrigerant Type	R410A
Basepan With Electric Heater	Standard
Compressor With Electric Heater	Standard
Outdoor Fin Coating	Blue Fin
Intelligent Defrosting	Standard
Intelligent Preheating	Standard
Low Voltage Startup	Standard
Memory/Power Failure Recovery	Standard
Self Diagnosis	Standard
Wired Controller Interface (XK-41)	Standard
Wi-Fi Interface Capable	Optional
Indoor Fan Type	Crossflow
Multi Fan Speeds	4 Speeds
Indoor Unit Display	Standard
Advance Filter	Optional
Auxiliary Electrical Heater	Not Available
Ventilation (Outdoor Air)	Not Available

Remote Controller Functions	
Auto Mode	Standard
Auto Fan	Standard
Auto Swing - Horizontal	Not Available
Auto Swing - Vertical	Standard
Clock on Remote Controller	Standard
Dry Mode	Standard
Dry Anti-Mildew (X-Fan) Mode	Not Available
Energy Saving Mode	Standard
Dirty Filter Alert	Not Available
I Feel Function	Standard
Lock on Remote Controller	Standard
Quiet Mode	Not Available
Room Temperature Display	Standard
Sleep Mode	Standard
4 Sleep Modes Options	Not Available
Timer Mode	Standard
Turbo Mode	Standard
Display On/Off Control	Standard
Freeze Guard Mode	Standard



<b>COOLING PERFORMANCE*</b>								
Outdoor Ambient DB	Indoor Ambient Temperature							
	68°F DB		73°F DB		80°F DB		82°F DB	
	57°F WB		61°F WB		67°F WB		68°F WB	
	TC	SHC	TC	SHC	TC	SHC	TC	SHC
0°F	5,675	4,451	5,996	4,700	6,723	5,274	6,783	5,320
5°F	5,748	4,508	6,073	4,761	6,854	5,375	6,914	5,423
14°F	5,896	4,624	6,226	4,883	7,115	5,579	7,178	5,629
23°F	6,298	4,940	6,736	5,284	7,719	6,054	7,787	6,108
32°F	7,637	5,990	8,169	6,407	8,947	7,015	9,026	7,077
41°F	8,650	6,784	9,190	7,207	9,821	7,703	9,908	7,771
50°F	8,547	6,705	9,091	7,131	9,731	7,633	9,817	7,700
59°F	8,337	6,538	8,878	6,963	9,641	7,563	9,726	7,630
68°F	8,127	6,373	8,668	6,799	9,461	7,420	9,545	7,486
77°F	7,920	6,212	8,457	6,632	9,280	7,280	9,363	7,344
86°F	7,692	6,033	8,229	6,452	9,010	7,067	9,090	7,130
95°F	7,505	5,887	8,040	6,306	8,893	6,976	8,972	7,038
104°F	7,319	5,740	7,854	6,160	8,776	6,884	8,854	6,945
113°F	6,944	5,445	7,478	5,865	8,403	6,589	8,478	6,648
115°F	6,923	5,429	7,448	5,842	8,371	6,564	8,445	6,622

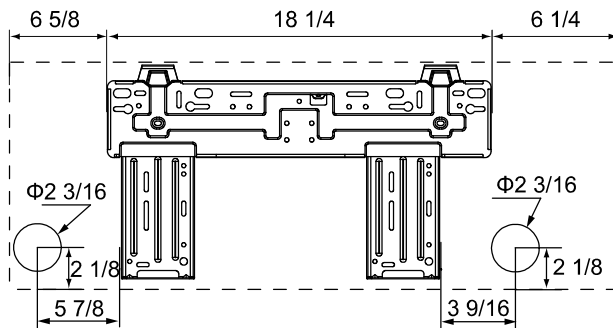
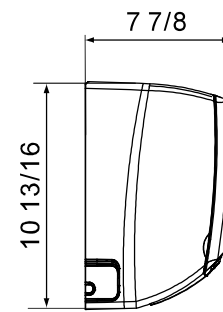
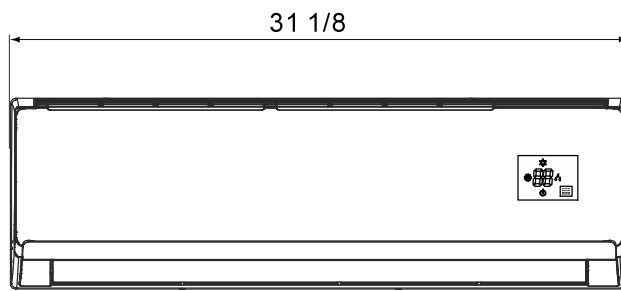
<b>HEATING PERFORMANCE*</b>								
Outdoor Ambient DB	Indoor Ambient Temperature							
	68°F DB		73°F DB		80°F DB		86°F DB	
	57°F WB		61°F WB		67°F WB		72°F WB	
	TC	SHC	TC	SHC	TC	SHC	TC	SHC
-4°F	4,985	4,985	4,937	4,937	4,854	4,854	4,658	4,658
0°F	5,400	5,400	5,350	5,350	5,261	5,261	5,044	5,044
6°F	5,697	5,697	5,644	5,644	5,549	5,549	5,320	5,320
10°F	5,935	5,935	5,878	5,878	5,780	5,780	5,543	5,543
16°F	6,113	6,113	6,056	6,056	5,955	5,955	5,709	5,709
19°F	6,234	6,234	6,172	6,172	6,071	6,071	5,819	5,819
24°F	6,926	6,926	6,867	6,867	6,763	6,763	6,513	6,513
32°F	7,734	7,734	7,674	7,674	7,570	7,570	7,321	7,321
41°F	8,657	8,657	8,598	8,598	8,497	8,497	8,244	8,244
43°F	8,888	8,888	8,829	8,829	8,725	8,725	8,476	8,476
47°F	9,693	9,693	9,595	9,595	9,429	9,429	9,019	9,019
53°F	9,791	9,791	9,690	9,690	9,521	9,521	9,108	9,108
59°F	10,014	10,014	9,913	9,913	9,738	9,738	9,316	9,316
64°F	10,227	10,227	10,123	10,123	9,945	9,945	9,515	9,515
70°F	10,420	10,420	10,313	10,313	10,135	10,135	9,696	9,696
75°F	10,566	10,566	10,459	10,459	10,275	10,275	9,830	9,830

\* Maximum System Capacity  
 TC - Total Capacity(Btu/h)  
 SHC - Sensible Capacity(Btu/h)

**TOSOT NORTH AMERICA**  
 930 W 21ST STREET, CHICAGO IL 60608  
 TEL: +1(312)800-8455  
 EMAIL: SALES@TOSOT-NA.COM



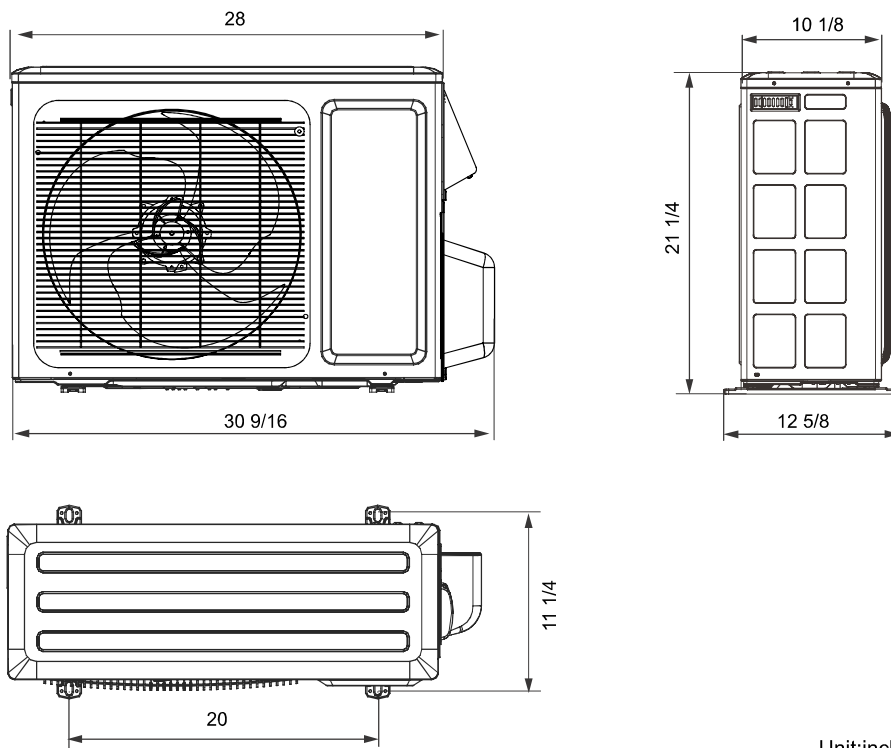
### INDOOR UNIT DIMENSIONS



Unit:inch



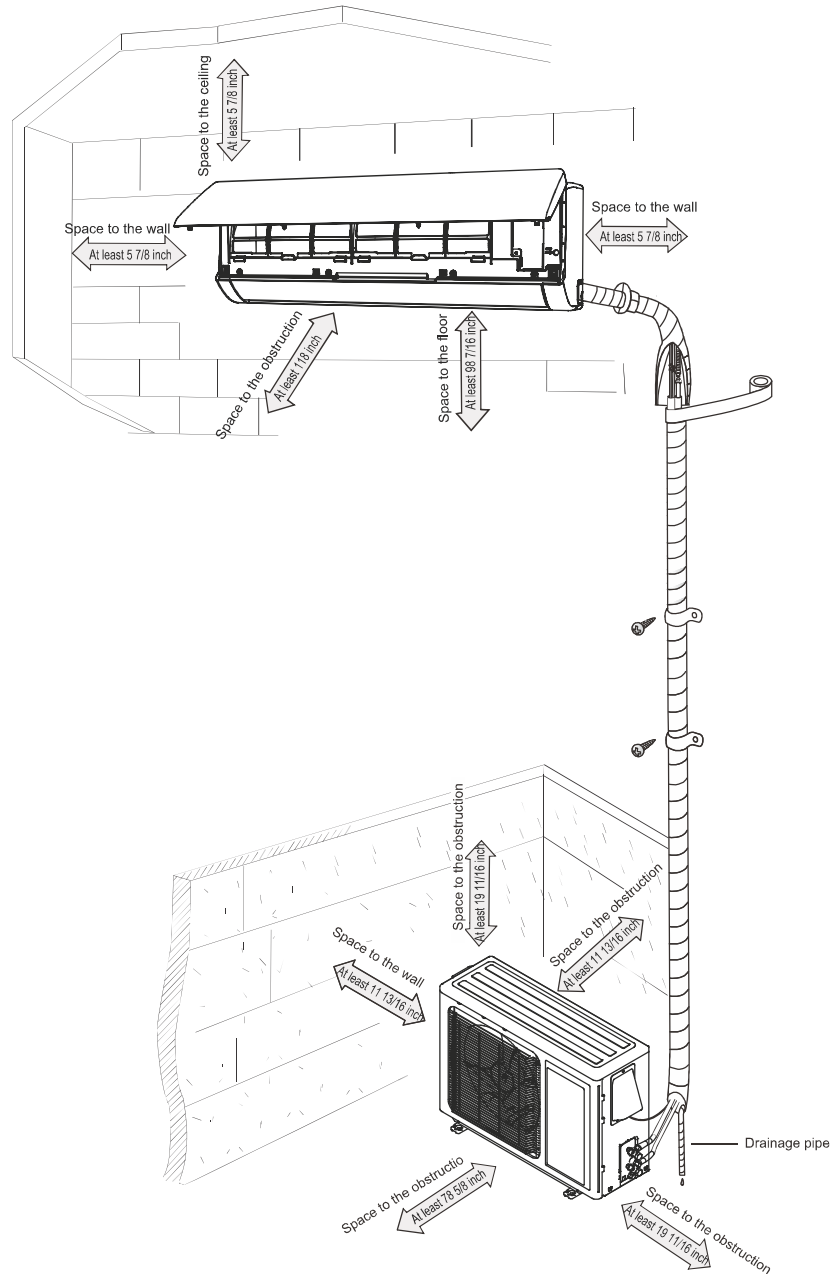
**OUTDOOR UNIT DIMENSIONS**



Unit:inch



### INSTALLATION DIAGRAM



**TOSOT NORTH AMERICA**  
930 W 21ST STREET, CHICAGO IL 60608  
TEL: +1(312)800-8455  
EMAIL: SALES@TOSOT-NA.COM